

# **BTABLE30/BTABLE40**

## **Assembly Instructions**

**Max Weight Capacity 300 Lb**



**READ ALL INSTRUCTIONS AND WARNINGS BEFORE USING THIS PRODUCT.**

This manual provides important information on proper operation & maintenance. Every effort has been made to ensure the accuracy of this manual. These instructions are not meant to cover every possible condition and situation that may occur. We reserve the right to change this product at any time without prior notice.

**IF THERE IS ANY QUESTION ABOUT A CONDITION BEING SAFE OR UNSAFE,  
DO NOT USE THIS PRODUCT!**

**DO NOT RETURN THIS PRODUCT TO THE RETAILER - CONTACT CUSTOMER SERVICE.**

If you experience a problem, have questions or need parts for this product, visit our website

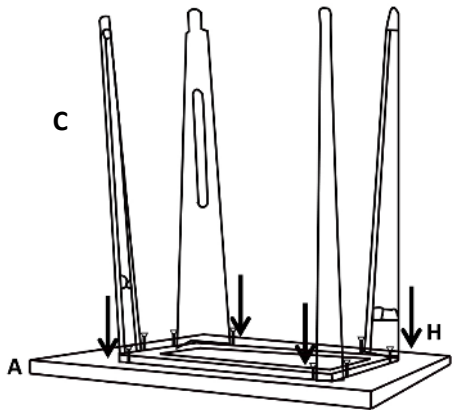
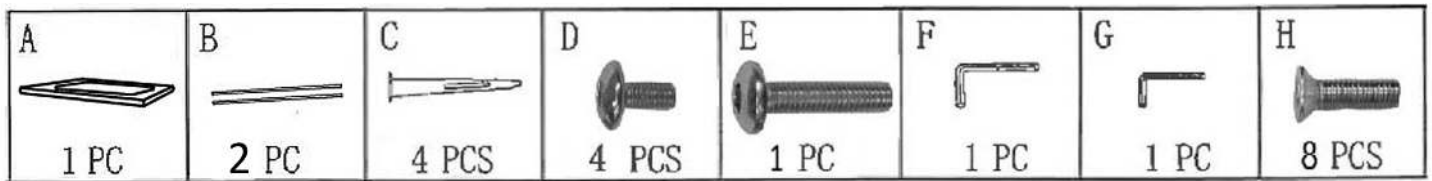
<http://www.amerihomebrand.com> or call **Customer Service** at 1-888-287-6981, Monday-Friday,

**8 AM - 4 PM Central Time**, or email : [info@amerihomebrand.com](mailto:info@amerihomebrand.com). A copy of the sales receipt is required.

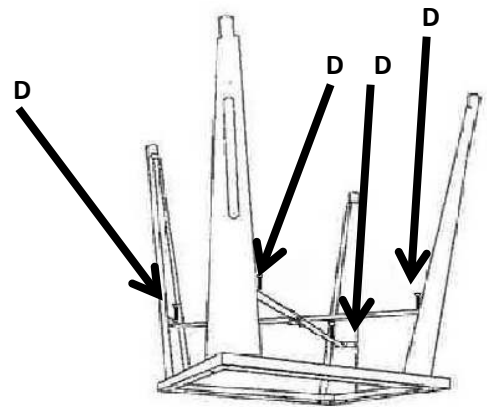
**KEEP MANUAL, SALES RECEIPT & WARRANTY FOR FUTURE REFERENCE**

**HARDWARE**

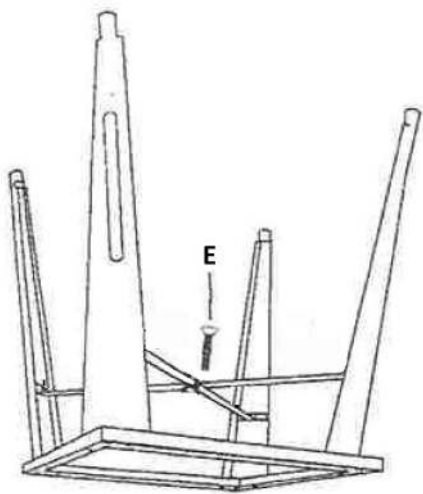
1. Identify and locate all hardware components listed below.



2. Attach each Table Leg (C) to Table Top Frame (A) using 8 pieces medium screws ( H ).



2. Attach X-Support (B) to each Table Leg (C) using 4 screws ( D ) .



4. Attach X-support (B) using 1 piece small screws ( E ).



5. When all pieces are attached, tighten each screw securely.