

DWCART

3,000 lb Capacity Drywall Cart

Assembly Instructions



READ ALL INSTRUCTIONS AND WARNINGS BEFORE USING THIS PRODUCT.

Every effort has been made to ensure the accuracy of this manual. These instructions are not meant to cover every possible condition and situation that may occur. We reserve the right to change this product at any time without prior notice.

IF THERE IS ANY QUESTION ABOUT A CONDITION BEING SAFE OR UNSAFE, DO NOT OPERATE! FOR CONSUMER USE ONLY – NOT FOR PROFESSIONAL USE.

HAVE QUESTIONS OR PROBLEMS? DO NOT RETURN THIS PRODUCT TO THE RETAILER - CONTACT CUSTOMER SERVICE.

If you experience a problem or need parts for this product, visit our website <http://www.buffalotools.com> or call our customer help line at 1-888-287-6981, Monday-Friday, 8 AM - 4 PM Central Time.

KEEP THIS MANUAL, SALES RECEIPT & APPLICABLE WARRANTY FOR FUTURE REFERENCE.

⚠ WARNING

Keep your work area clean and well lit. Cluttered and dark work areas may cause accidents or injury. Keep bystanders, children and visitors away while operating.

CALIFORNIA PROPOSITION 65

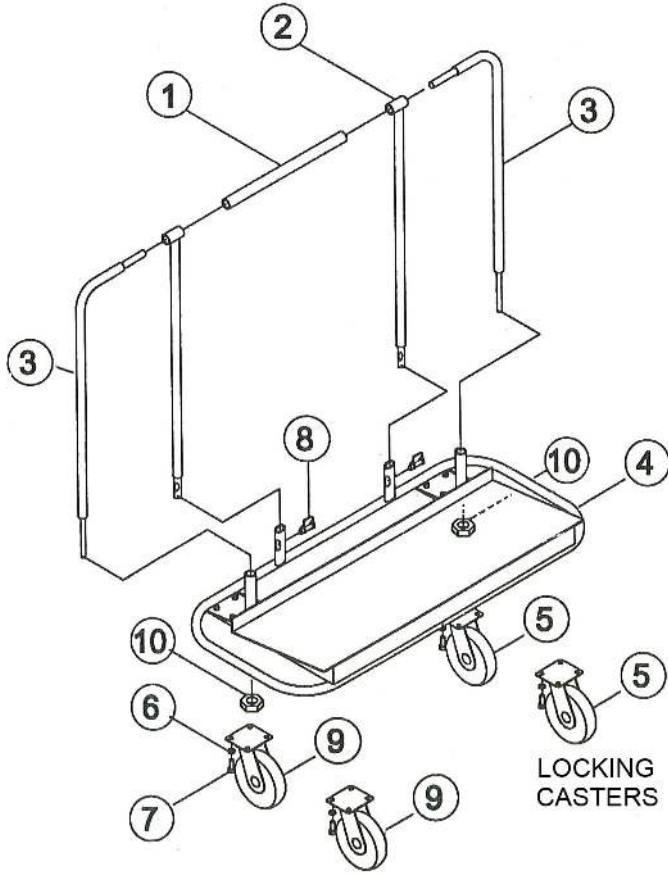
⚠ WARNING This product may contain chemicals, including lead, known to the State of California to cause cancer and birth defects or other reproductive harm. Wash hands after handling.

⚠ WARNING

Use common sense while operating. Do not use this if you are feeling tired or are under the influence of alcohol or drugs; Wearing loose clothing or jewelry. Keep long hair pulled back and away from moving parts; Overreaching or have improper footing.

FEATURES

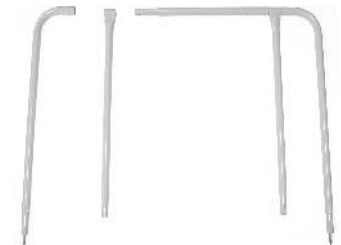
- 3,000 Lb. Load Capacity
- Durable Powder Coat Paint Finish
- Wrap-Around Tube Frame
- Rolls on Four 8" Swivel Casters
- Assembled Size: 49-3/4" L x 22-1/2" W x 47" H



Attach Casters under Deck



Part # 5 Caster with Lock



Assemble T Handles & L Handles



Insert Handles Into Deck

PARTS LIST

1	Support Tube	1	6	Flat Washer	16
2	T Handle	2	7	M10 Bolt	16
3	L Handle	2	8	Lock Pin	2
4	Deck	1	9	Caster w/o Lock	2
5	Caster with Lock	2	10	Nut	2

Install 4 casters on the underside of the deck, using split washer and M10 bolt. Place 2 swivel casters on one end, and 2 locking casters on the other end. Assemble T handles and L handles, then slide the tubes onto the deck at the same time.

Install 2 pieces locking pin through holes, then tighten all fasteners.

If you experience a problem or need parts for this product, visit our website <http://www.buffalotools.com> or call our customer help line at

1-888-287-6981, Monday-Friday, 8 AM - 4 PM Central Time.