

PRESSA6T

6 Ton A-Frame Shop Press Assembly & Operating Instructions



READ ALL INSTRUCTIONS AND WARNINGS BEFORE USING THIS PRODUCT.

This manual provides important information on proper operation & maintenance. Every effort has been made to ensure the accuracy of this manual. These instructions are not meant to cover every possible condition and situation that may occur. We reserve the right to change this product at any time without prior notice.

IF THERE IS ANY QUESTION ABOUT A CONDITION BEING SAFE OR UNSAFE, DO NOT OPERATE THIS PRODUCT!

HAVE QUESTIONS OR PROBLEMS? DO NOT RETURN THIS PRODUCT TO THE RETAILER - CONTACT CUSTOMER SERVICE.

If you experience a problem or need parts for this product, visit our website <http://www.buffalotools.com> or call our customer help line at 1-888-287-6981, Monday-Friday, 8 AM - 4 PM Central Time. A copy of the sales receipt is required.

FOR CONSUMER USE ONLY – NOT FOR PROFESSIONAL USE.

KEEP THIS MANUAL, SALES RECEIPT & APPLICABLE WARRANTY FOR FUTURE REFERENCE.

⚠ WARNING

Keep your work area clean and well lit. Cluttered work benches and dark work areas may cause accidents or injury.

Keep bystanders, children and visitors away while operating a power tool. This unit is not a toy.

⚠ CAUTION

Do not remove labels from the product. Labels contain important safety information. Do not operate beyond 6 Tons (12,000 lbs).

Always wear protective eyewear (glasses, goggles, face shield, dust mask) and heavy duty gloves that comply with ANSI code. Steel and other materials can fail or shatter under strong pressure.

If you detect or suspect anything that may indicate structural failure, STOP USING THE PRESS! Inspect the shop press from a distance, release pressure on the jack if necessary, and thoroughly inspect the shop press.

Do not use the press to compress springs or any other item that could disengage and cause potential flying hazard.

⚠ DANGER

Prevent off-center loads. Stop operation if the unit appears unbalanced, tilts or binds. Adjust the work piece to prevent an off-center load. Keep hands and fingers away from jack plate and press apron during the press operation.

⚠ WARNING

Keep hands and fingers away from the press. Your fingers can get stuck inside the press and cause serious injury to the user.

⚠ WARNING

This product contains chemicals, or creates dust, known to the State of California to cause cancer and birth defects or other reproductive harm. Inhaling dust created as a result of construction projects could be hazardous to your health. Construction dust may contain chemicals, which are known to cause cancer, birth defects and other reproductive harm in the State of California. These chemicals could be, but are not limited to: lead from lead based paints, crystalline silica from bricks or cement, arsenic, and chromium.

SPECIFICATIONS

Steel Construction
Powder Coated Paint Finish
Min Operating Distance: 50mm
Max Operating Distance: 110mm
Stroke: 130mm

HARDWARE LIST

A	2	M12x35	Hex Bolts	F	2	M8x50	Eye Bolts
B	2	M12x100	Hex Bolts	G	4	M12	Hex Nuts
C	2	M10x100	Hex Bolts	H	10	M10	Hex Nuts
D	12	M10x16	Hex Bolts	I	2	M8	Hex Nuts
E	2	M6x35	Hex Bolts	J	2	M6	Hex Nuts

ASSEMBLY & USE

Review the illustration for placement of each piece. Once installed, bolt the press to the floor for stable, secure use.

Attach Header Supports to Header with "A" Bolts through the topmost hole in 2-hole end. Finger tighten. Align top Crossbeam, pair of Uprights, pair of Header Supports, and secure with "B" bolts and "G" Nuts. Repeat on other side. Secure bottom Crossbeam with "C" bolts and "H" nuts. Slide the Press Apron up from bottom of assembly, place the pin to hold.

Place spreaders inside the frame, and secure "D" bolts and "H" nuts. Attach legs to frame with "D" bolts and "H" nuts.

Attach top and bottom Press Rod guides to Crossbeams with "D" bolts into threaded holes. Finger tighten to permit alignment.

Use a straight edge to align center of header and center of frame. Tighten all connecting bolts with a wrench. Slide Press Rod into guides, make sure it's perpendicular and tighten guide bolts. Hang springs from "E" bolts and "J" nuts installed in holes below header. Attach eye bolts loosely to Jack Plate. Hang Jack Plate from springs. Lift Jack onto Jack Plate, then slip push rod into Jack Ring. Tighten Eye Bolts to adjust spring tension.

Move Press Apron to desired position and mount in place with pins. During use, be certain the work piece is controlled at all times. Step away from the unit and apply pressure slowly and evenly.

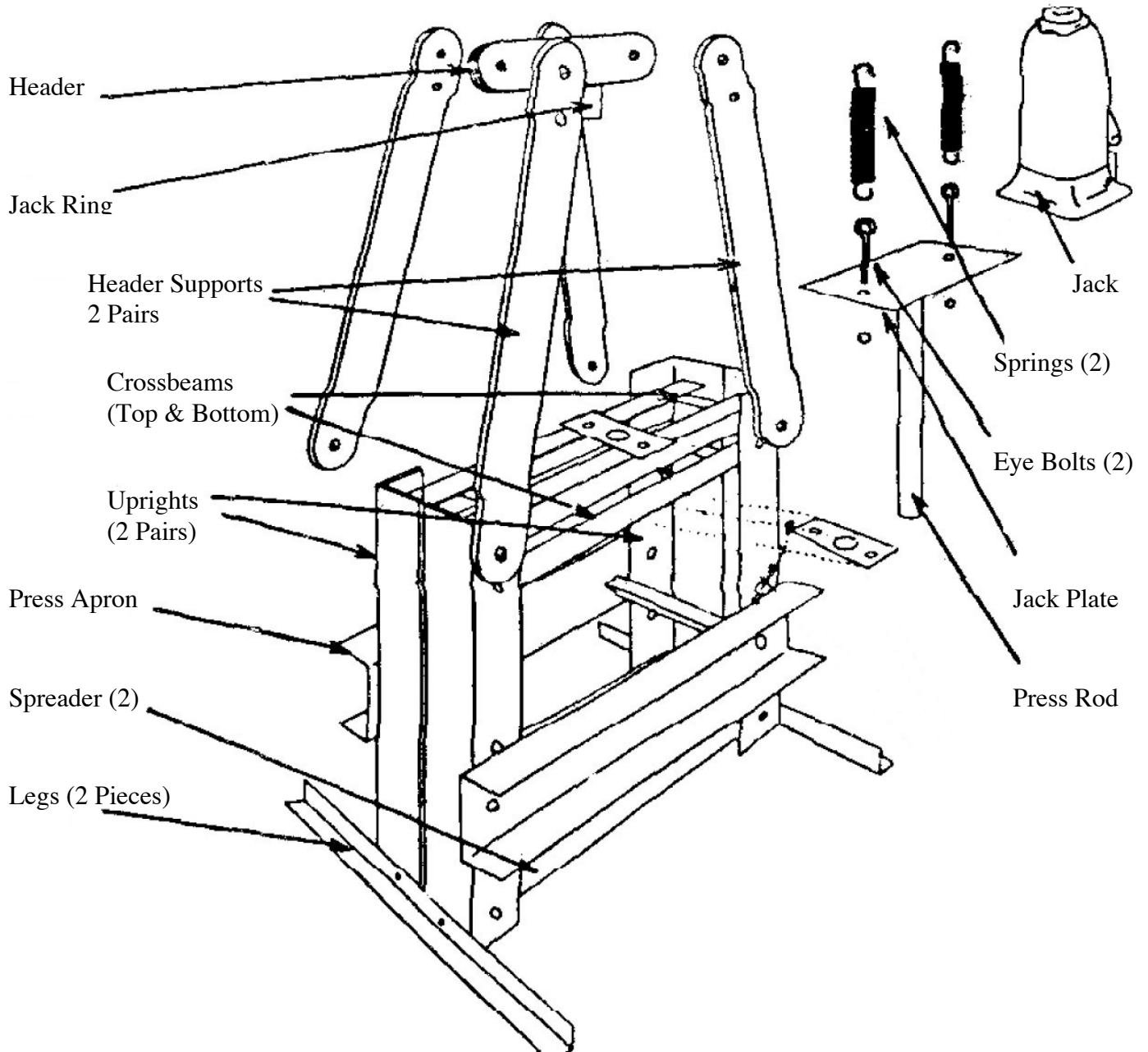
MAINTENANCE

Always release load from hydraulic press before performing any inspection, maintenance or cleaning. Do not leave a workpiece unattended, as there is a certain degree of force that has been stored within the unit. This force must be released properly before leaving the unit.

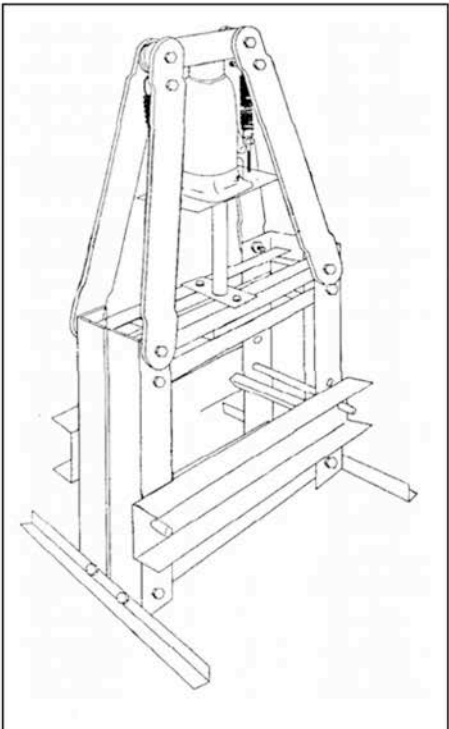
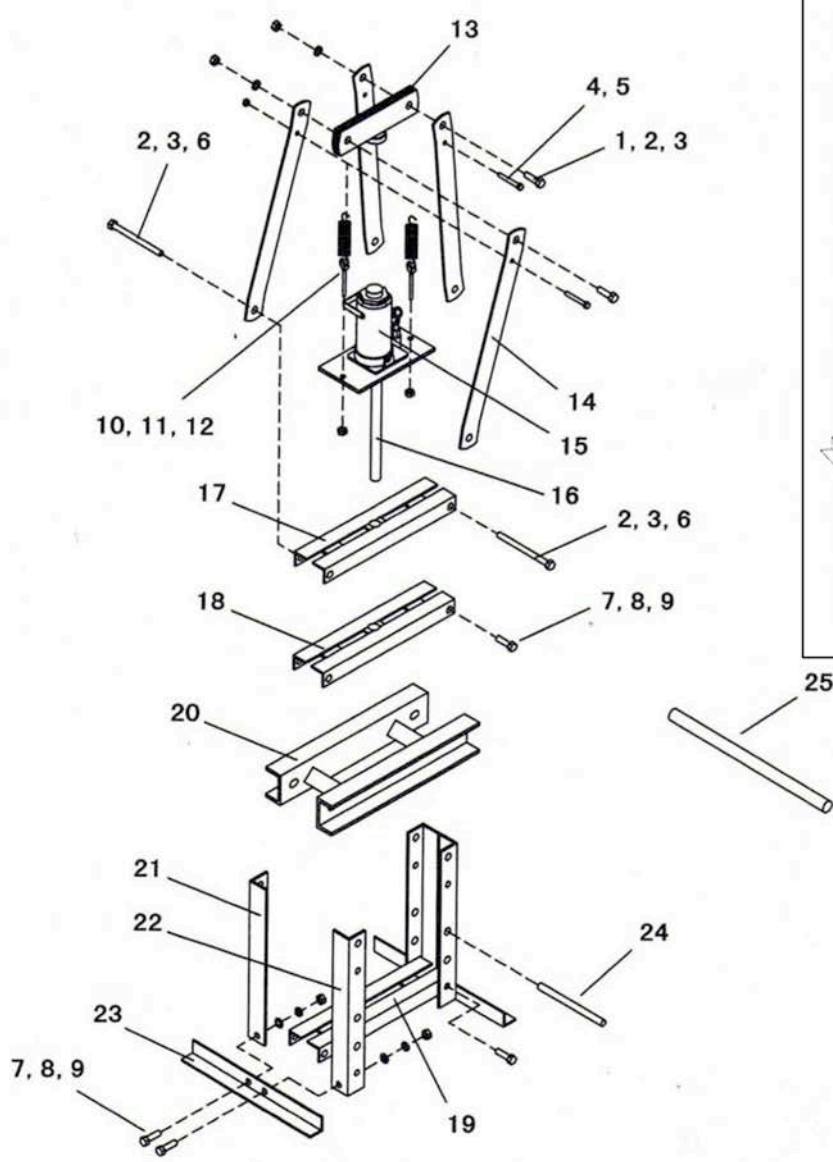
CAUTION

A qualified repair technician must perform any tool service or repair. Service or maintenance performed by unqualified personnel could result in injury. Use only identical replacement parts.

ASSEMBLY DIAGRAM



PARTS DIAGRAM



PART	DESCRIPTION	QTY
1 (A)	Bolt M12X45	2
2 (B)	ø12 Washer	4
3 (C)	M12 Nut	4
4 (D)	Bolt M6X40	2
5 (E)	M6 Nut	2
6 (F)	Bolt M12X100	2
7 (G)	Bolt M10X25	12
8 (H)	ø10 Washer	12
9 (I)	M10 Nut	12
10 (J)	Spring	2
11 (K)	Bolt M8X80	2
12 (L)	M8 Nut	2
13 (M)	Part 1	1

PART	DESCRIPTION	QTY
14 (N)	Part 2	4
15 (O)	Pump	1
16 (P)	Pump base	1
17 (Q)	Part 3	1
18 (R)	Part 4	1
19 (S)	Part 5	1
20 (T)	Press Platform	1
21 (U)	Part 6 (Right)	2
22 (V)	Part 7 (Left)	2
23 (W)	Base section	2
24 (X)	Rod	2
25 (Y)	Handle	1