

ITEM # TRDOLLY

Trailer Dolly

Assembly Instructions



READ ALL INSTRUCTIONS AND WARNINGS BEFORE USING THIS PRODUCT.

This manual provides important information on proper operation & maintenance. Every effort has been made to ensure the accuracy of this manual. These instructions are not meant to cover every possible condition and situation that may occur. We reserve the right to change this product at any time without prior notice.

IF THERE IS ANY QUESTION ABOUT A CONDITION BEING SAFE OR UNSAFE, DO NOT OPERATE THIS PRODUCT!

HAVE QUESTIONS OR PROBLEMS? CONTACT CUSTOMER SERVICE

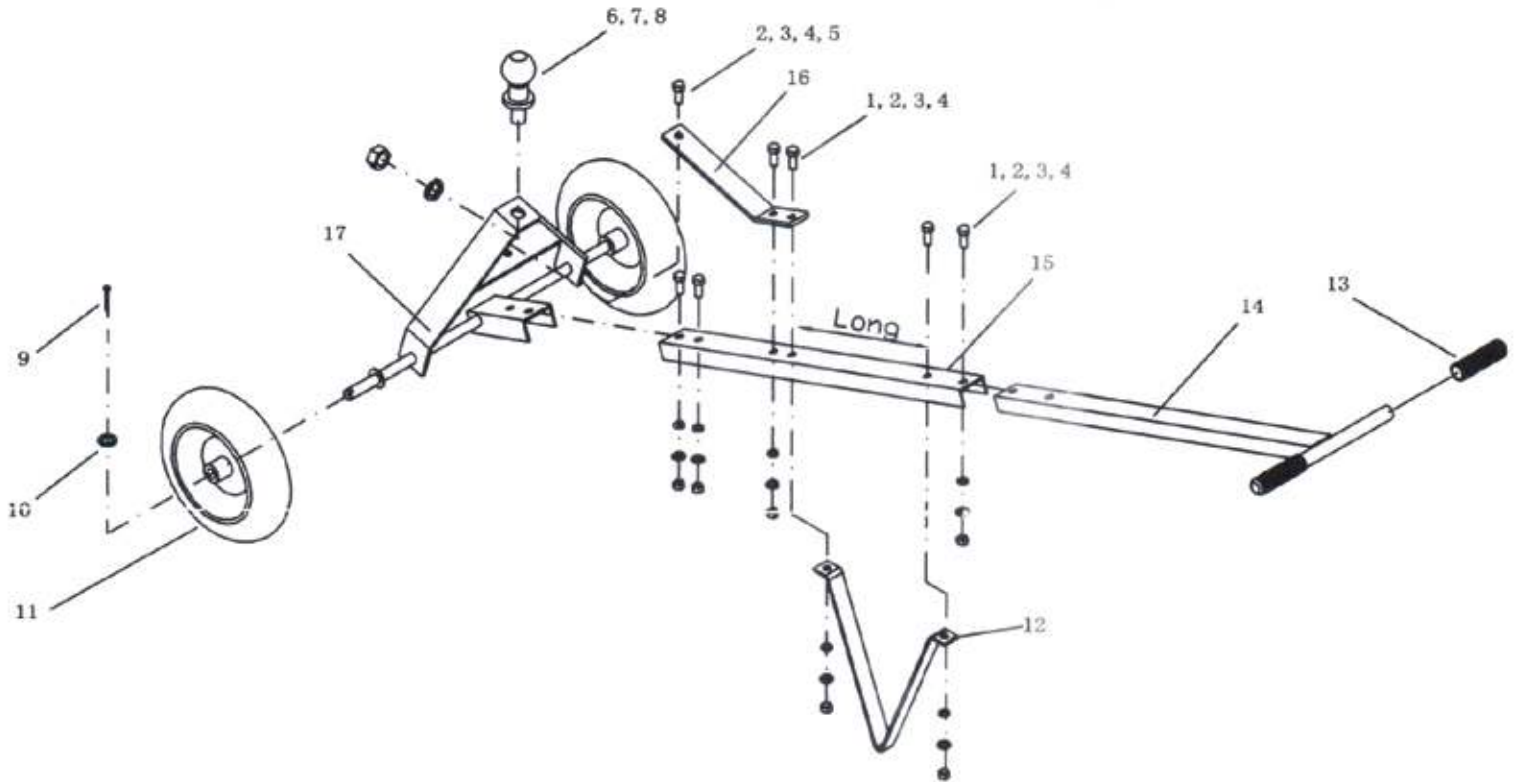
If you experience a problem or need parts for this product, visit our website <http://www.buffalotools.com> or call our customer help line at **1-636-532-9888, Monday-Friday, 8 AM - 4 PM Central Time**. A copy of the sales receipt is required.

FOR CONSUMER USE ONLY – NOT FOR PROFESSIONAL USE.

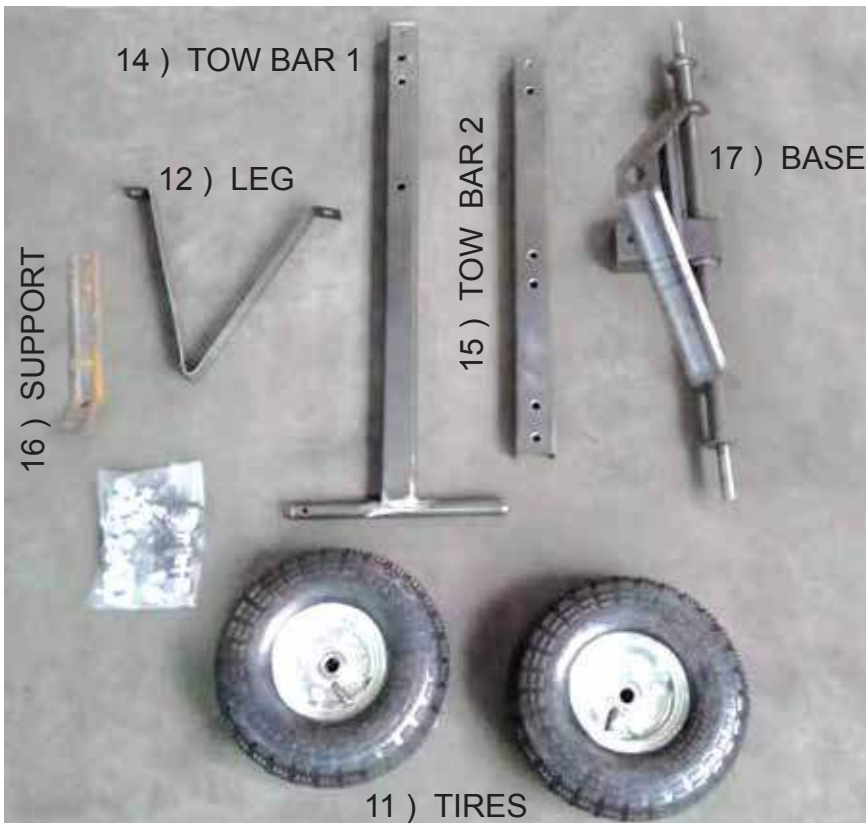
KEEP THIS MANUAL, SALES RECEIPT & APPLICABLE WARRANTY FOR FUTURE REFERENCE.

ITEM # TRDOLLY ASSEMBLY INSTRUCTIONS

DO NOT EXCEED 600 Lb WEIGHT CAPACITY



- Attach Tow Bars #14 and #15 using Bolt, Washer, Flat Washer and Nut.
- Attach Tires to #17 Base using Pin and Flat Washer.
- Insert Tow Bars into Base using Spring Washer, Bolt, Flat Washer and Nut.
- Attach Tow Bar and Base together using Support #16 and Spring Washer, Bolt, Flat Washer and Nut.
- Attach Ball #6 to Base using Spring Washer and Nut.
- Attach Leg #12 using Spring Washer, Bolt, Flat Washer and Nut.



PART	DESCRIPTION	QTY
1	Bolt M10x25	6
2	Ø10 Spring Washer	7
3	Ø10 Flat Washer	7
4	Nut M10	7
5	Bolt M10x30	1
6	Ball 1-7/8 inch	1
7	Spring Washer	1
8	Nut	1
9	Pin	2
10	Ø16 Flat Washer	2
11	Tire	2
12	Leg	1
13	Rubber	2
14	Tow bar 1	1
15	Tow bars 2	1
16	Support	1
17	Base	1